

135LTCTK PRO-FIT[®] 2

MANSFIELD[®]

Complete Toilet Kit, Elongated Front, Vitreous China, Two-Piece Toilet

FEATURES

- Complete toilet kit (CTK)
- 3-bolt SmartFaster™ tank-to-bowl connection
- 1.6 gpf / 6.0 lpf low water consumption
- Elongated front bowl
- 2' flush tower
- Anti-siphon ballcock
- 12' rough-in
- Lined tank for reduced condensation
- Model 40 color-match plastic trip lever
- 2' glazed trapway
- The Mansfield[®] limited lifetime warranty
- Available in White



MODEL 135LTCTK

Toilet seat included

Complete toilet kit




ELONGATED



CTK

COMPONENTS

MODEL #	DESCRIPTION	CODES/STANDARDS
135LTCTK	Elongated front two-piece toilet kit. Includes: toilet seat, wax ring, floor bolts, caps, and multi-lingual installation instructions. Water supply hardware not included.	
135	Elongated front, toilet bowl only. Less toilet seat.	
190	Tank and cover only, with left hand, front mount, color-match, plastic trip lever. Tank liner. Less supply.	
SB200	Elongated front, plastic toilet seat and cover.	

TANK TRIM & REPLACEMENT PARTS

40	Trip lever – color-match, plastic trip lever, left hand
211-1112	Flush tower
08ULF-1112	Anti-siphon ballcock
630-0030	Replacement flush valve seal
160-LID	Tank lid



135LTCTK PRO-FIT[®] 2



Complete Toilet Kit, Elongated Front, Vitreous China, Two-Piece Toilet

SPECIFICATIONS

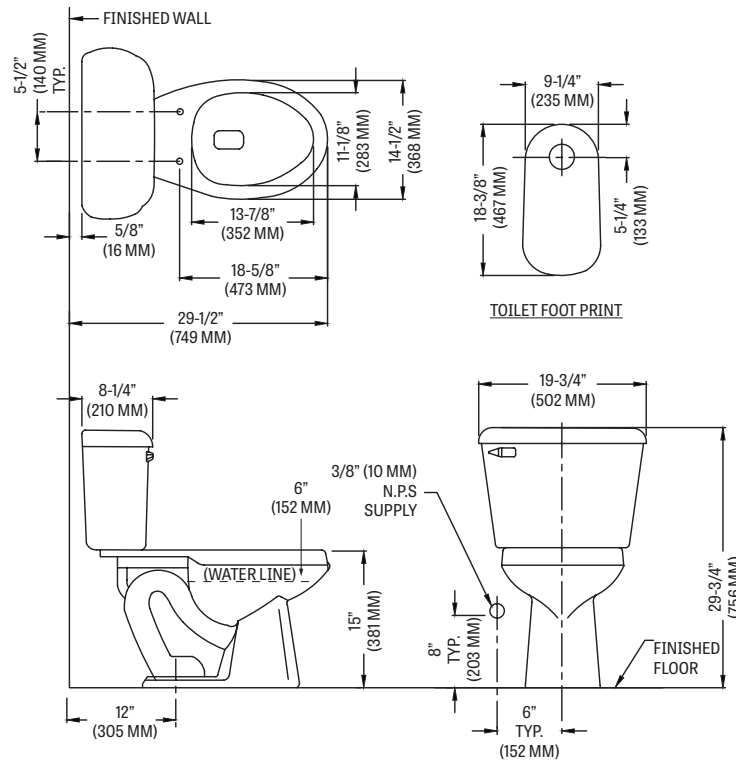
MODEL #	DESCRIPTION	CODES/STANDARDS
135LTCTK	Elongated front (1.6 gpf / 6.0 lpf) two-piece toilet kit	

MATERIAL	Vitreous China
WATER PRESSURE RANGE	20 to 80 PSI
FLUSH SYSTEM	2' Flush Tower
WATER USAGE	1.6 gpf / 6.0 lpf
WATER SURFACE AREA	9' X 10'
ROUGH-IN	12'
MAP RATING	800 grams

TRAP DIAMETER	2'
TRAP SEAL	2-1/2'
SHIPPING WEIGHT	Model 135LTCTK - 88 lbs. (40 kg)
WARRANTY	Vitreous China - Limited Lifetime Tank Trim - Limited One Year

TECHNICAL INFORMATION

Note: these dimensions are nominal and subject to change without notice.



Fixture performance and specifications meet or exceed ASME A112.19.2/CSA B45.1 standards, and other state and local codes.

